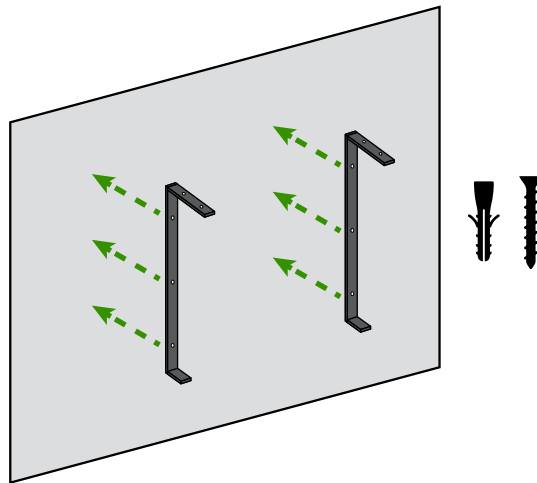
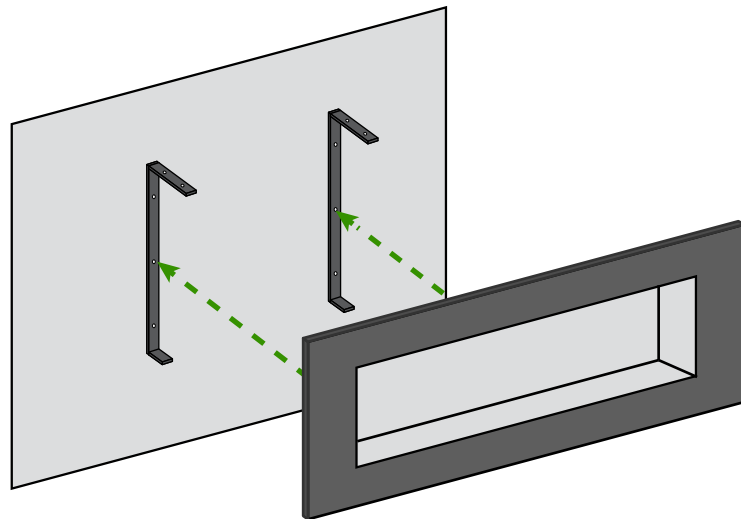


Wall-mounted Installation

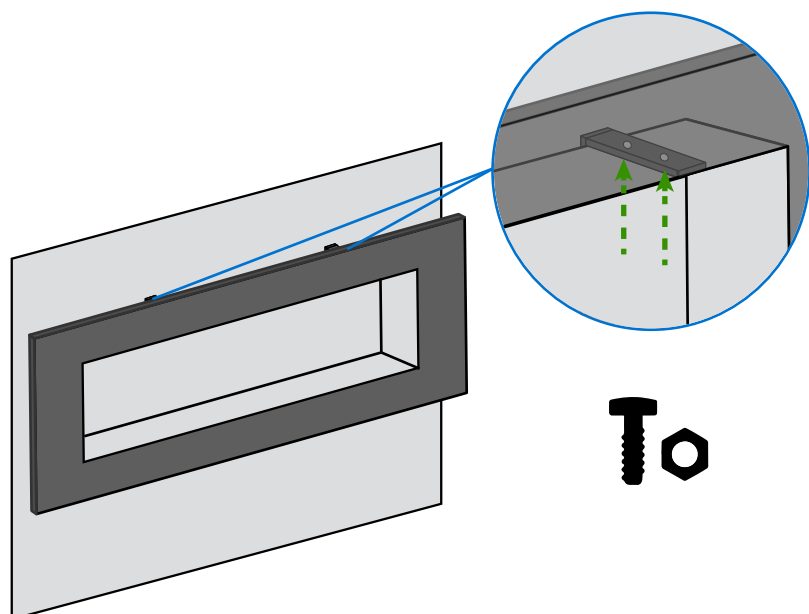
1



2

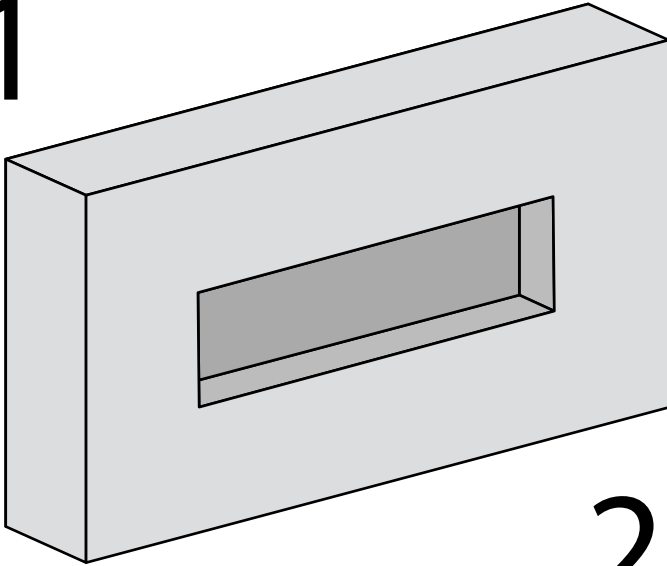


3

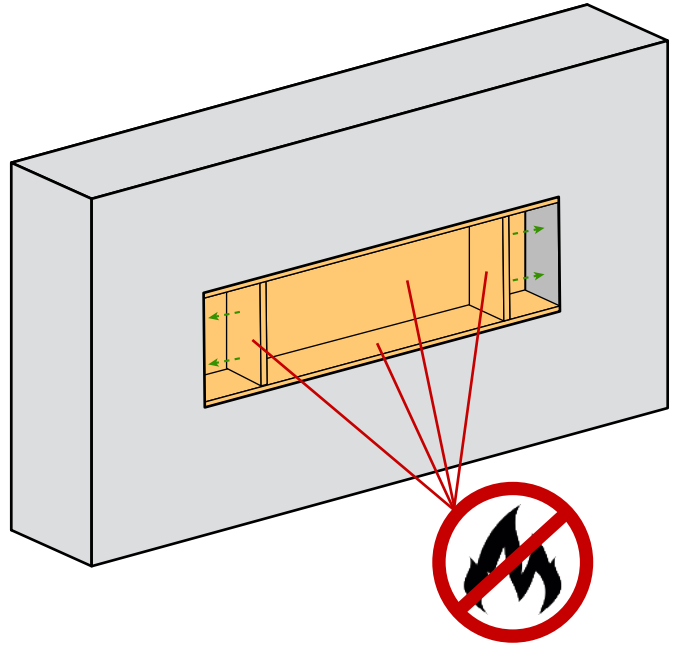


Recessed Installation

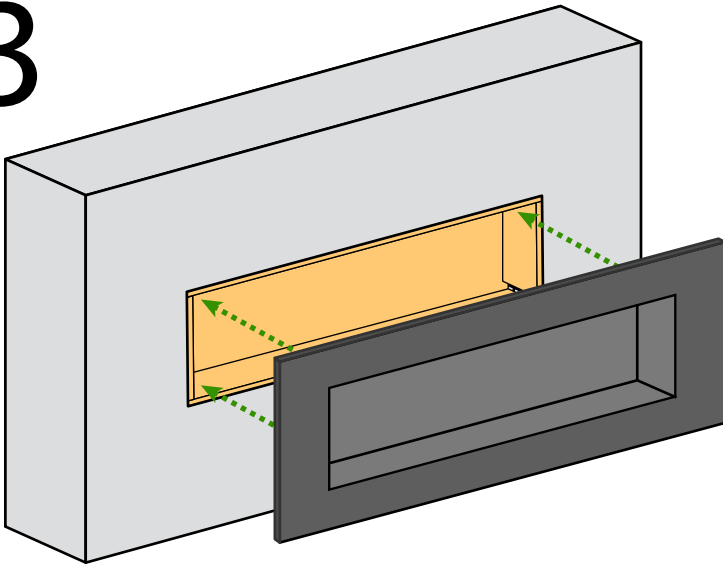
1



2



3



4

